

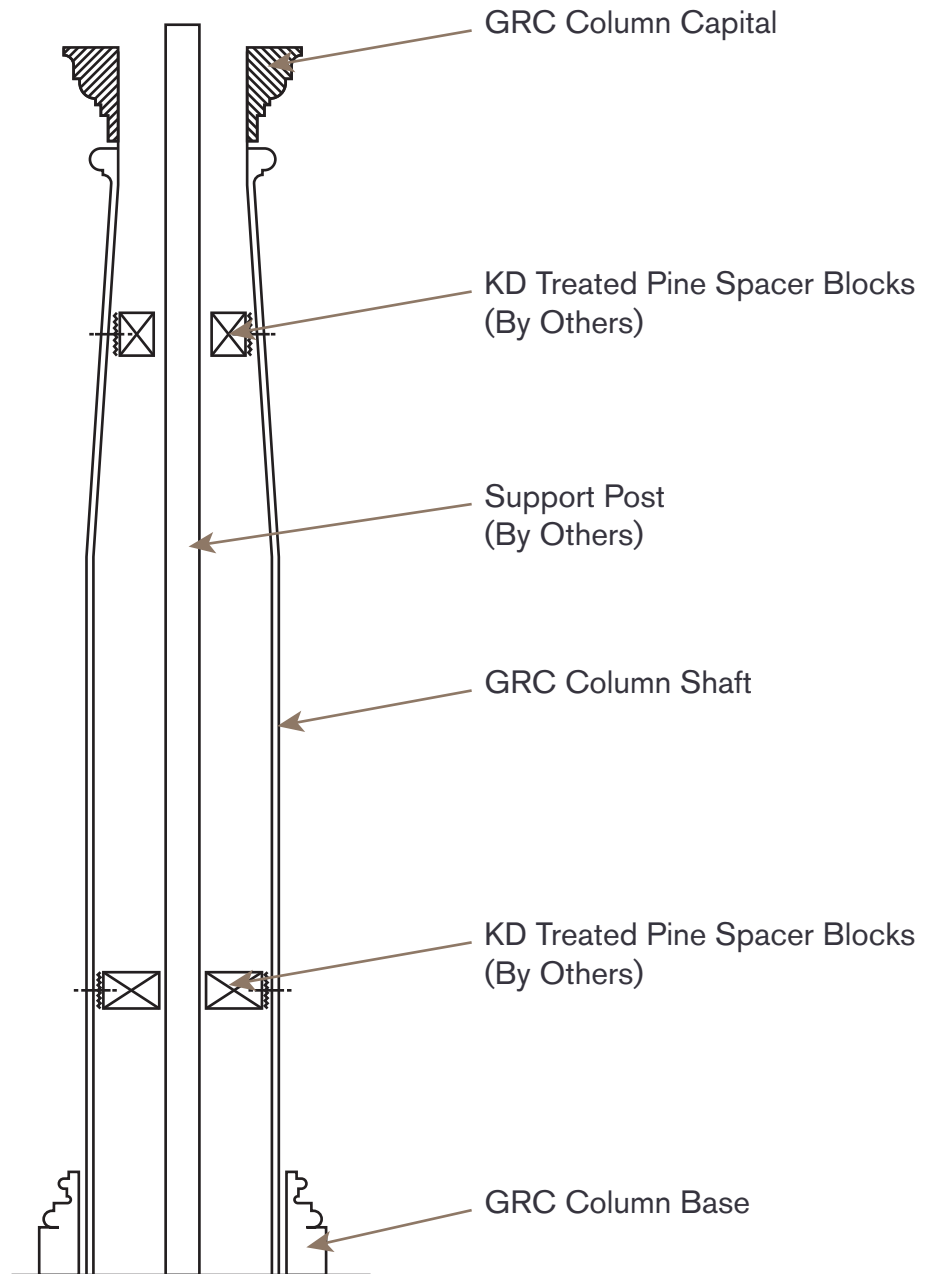
dekopro

mouldings

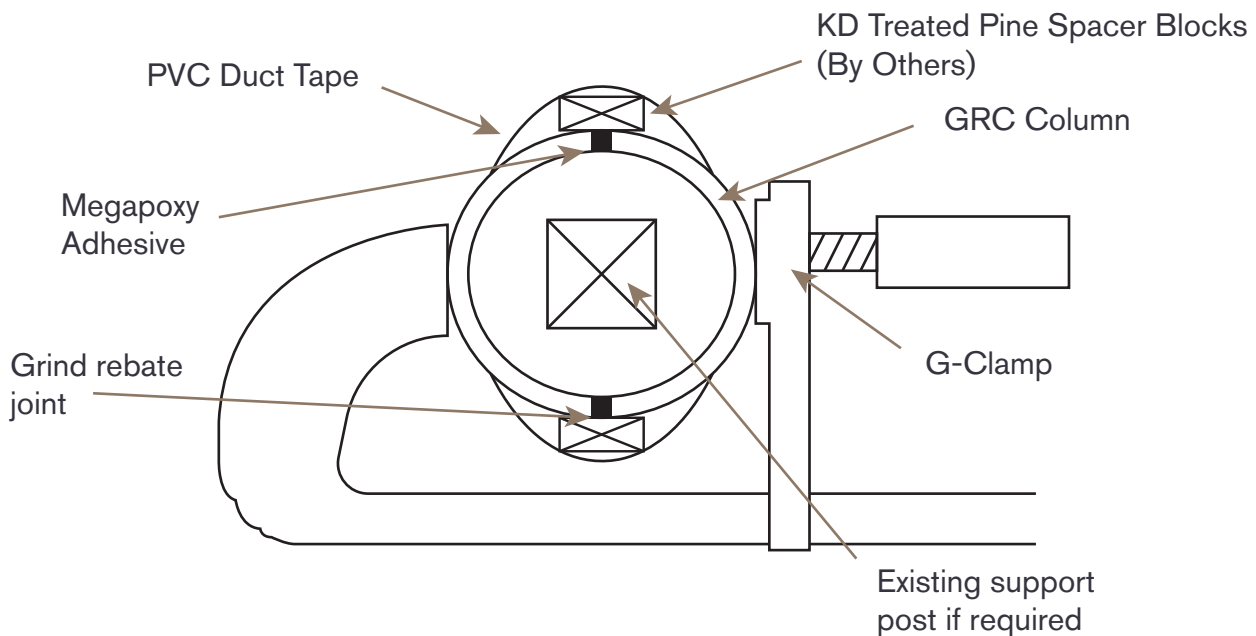
COLUMN JOINING INSTRUCTIONS

GRC (Glass Reinforced Concrete)





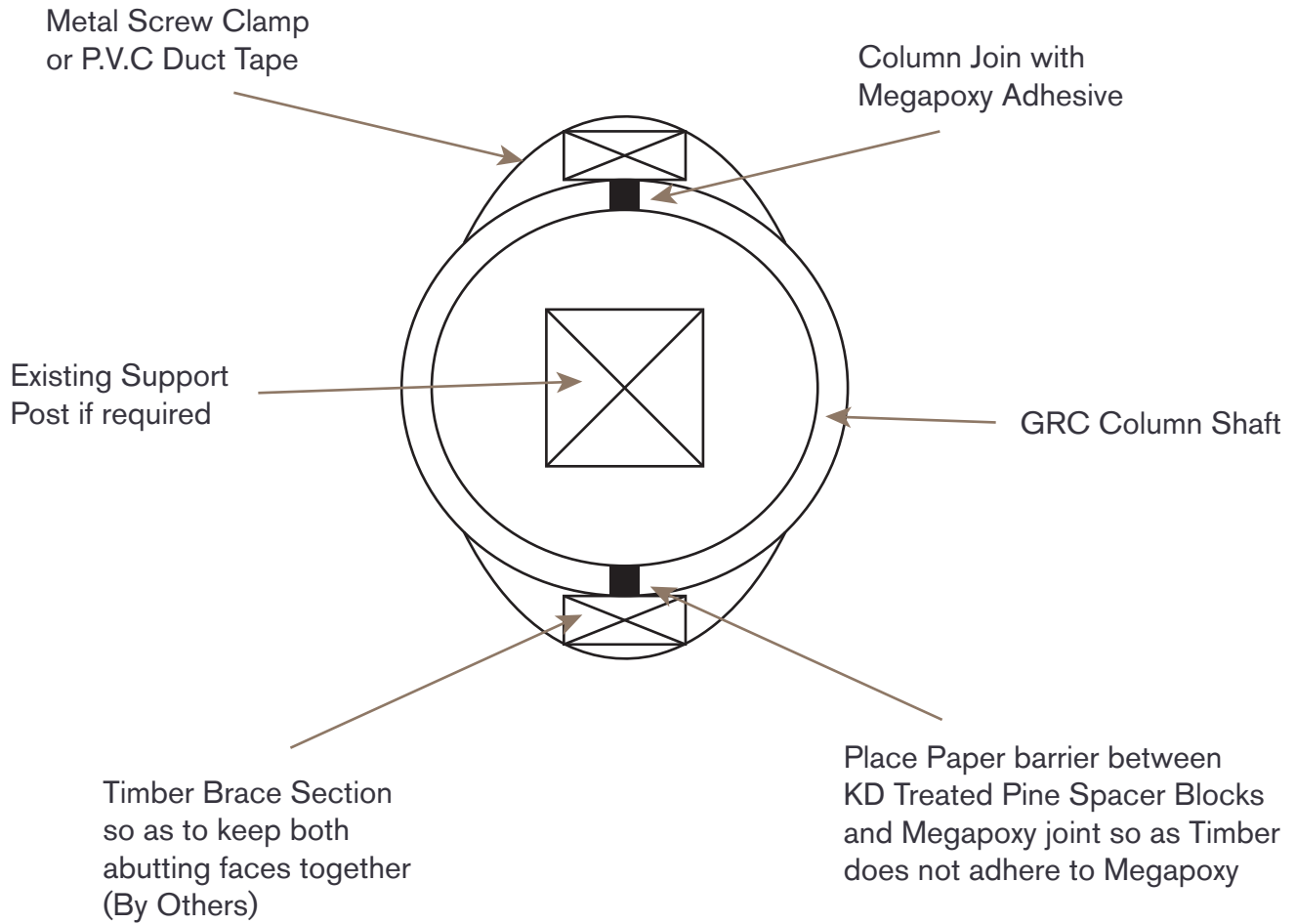
NOTE: GRC Column Shafts are non structural and are not designed to be filled with concrete.

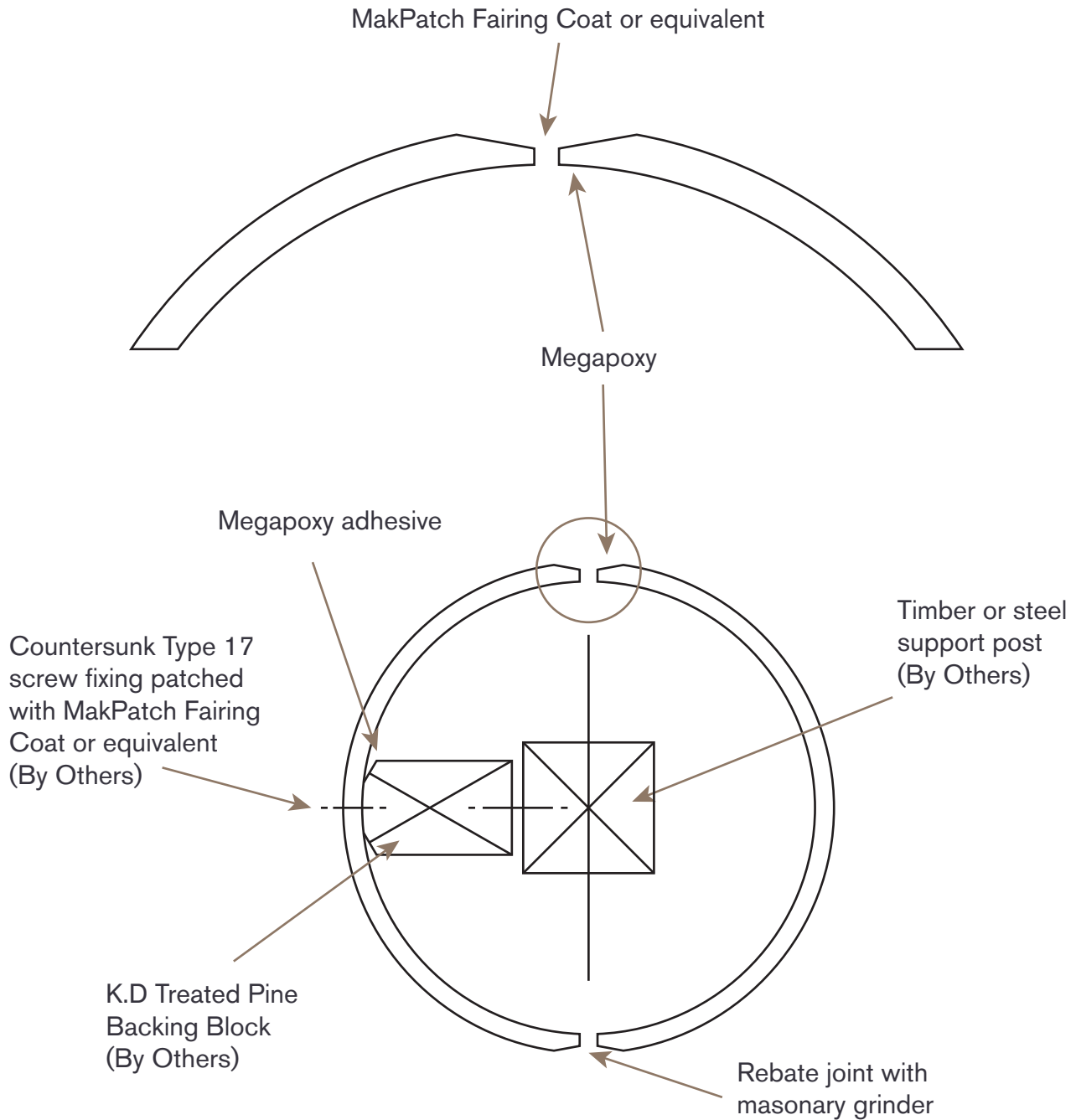


Joining Instructions

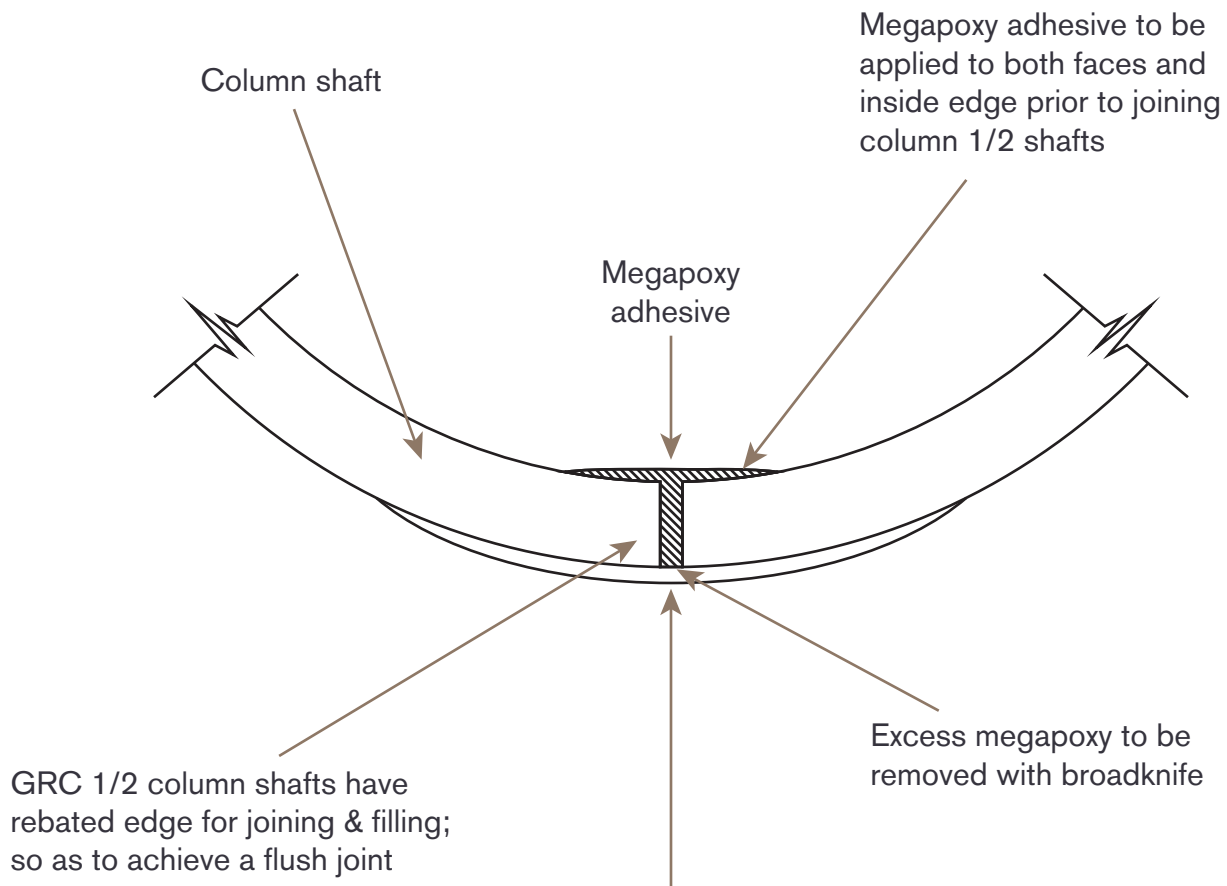
1. Grind rebate joint into external abutting edges with masonry grinder
2. Butter megapoxy to both abutting joint edges of GRC Column
3. Squeeze half column shafts together
4. Close column halves together with G clamp ensuring not to over tighten
5. Wipe off megapoxy on outside face of column with broad knife
6. Put KD Treated Pine Spacer Blocks against abutting joint so as to align edges and secure in place by tightly wrapping P.V.C duct tape around timber block and column, ensuring both aces of column are aligned. (Place paper between timber block and joint).
7. Profiling: Fill over column joint with MakPatch Fairing Coat or equivalent and when dry, sand with 120 grit sandpaper (refer to detailed drawings on pages 5 and 6).

NOTE: Upon completion of column joints, the total column surface is to be painted with a masonry sealer prior to a flat finish paint coat application. (This eliminates any porosity difference between the joint patching compound and the GRC column surface.)

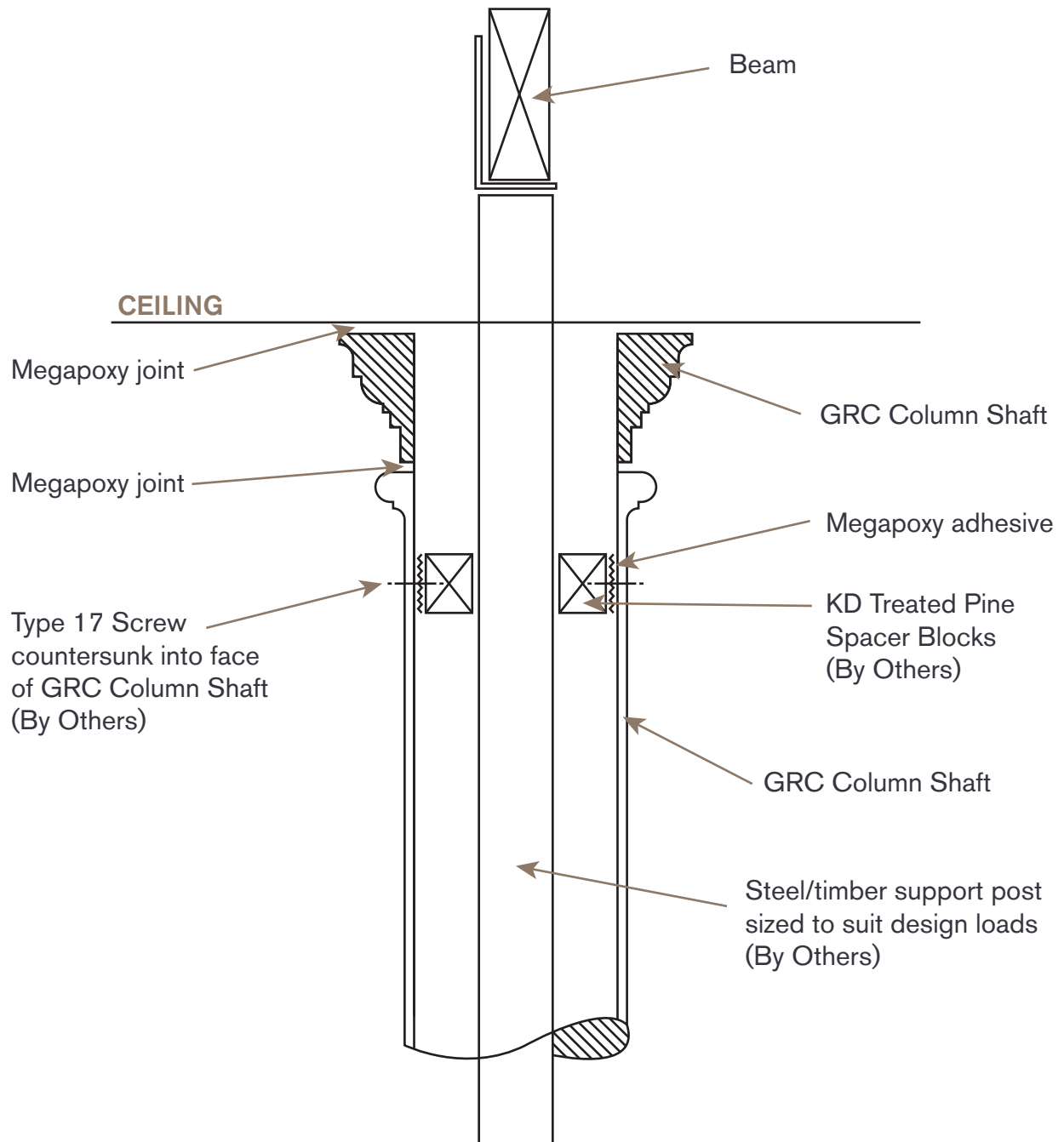




NOTE: Secure both column 1/2 shafts with PVC Duct Tape.

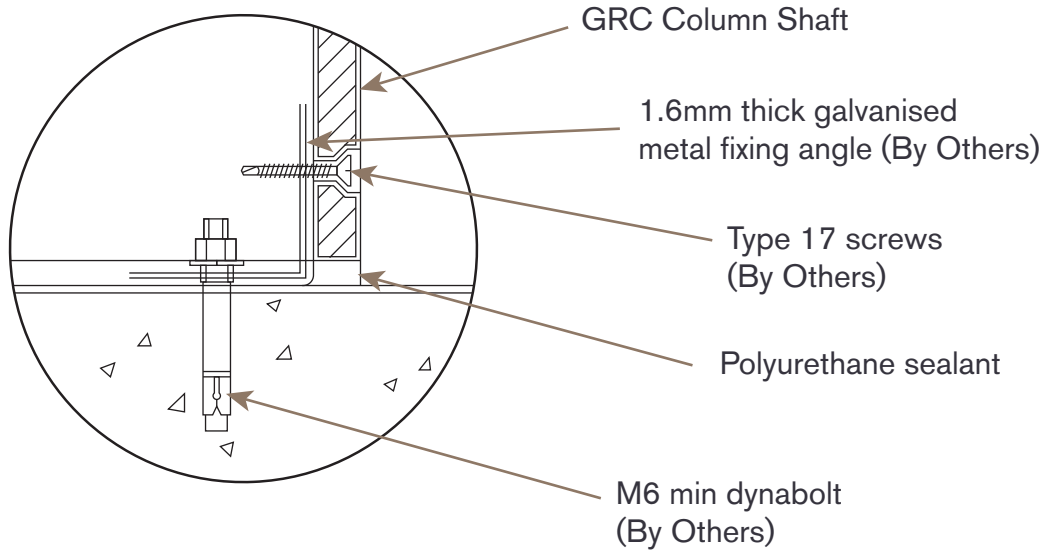


MakPatch Fairing Coat or equivalent to be profiled into column radius using a trowel and formed rubber profiler. When dry, sand smooth with 120 grit sandpaper.

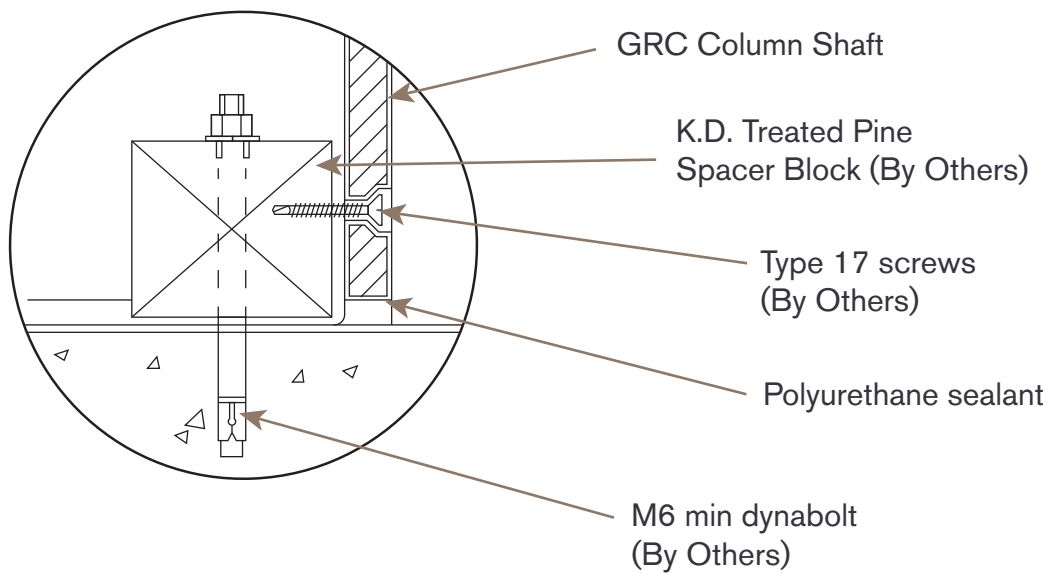


NOTE: Top to be capped off with F.C Sheeting and sealed when exposed to weather

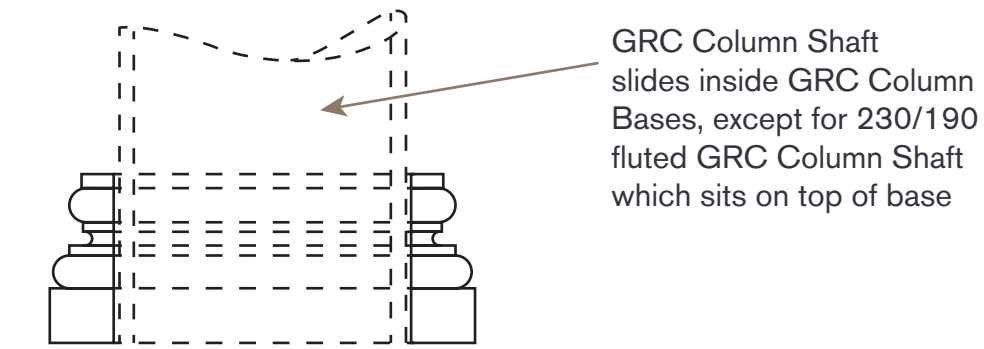
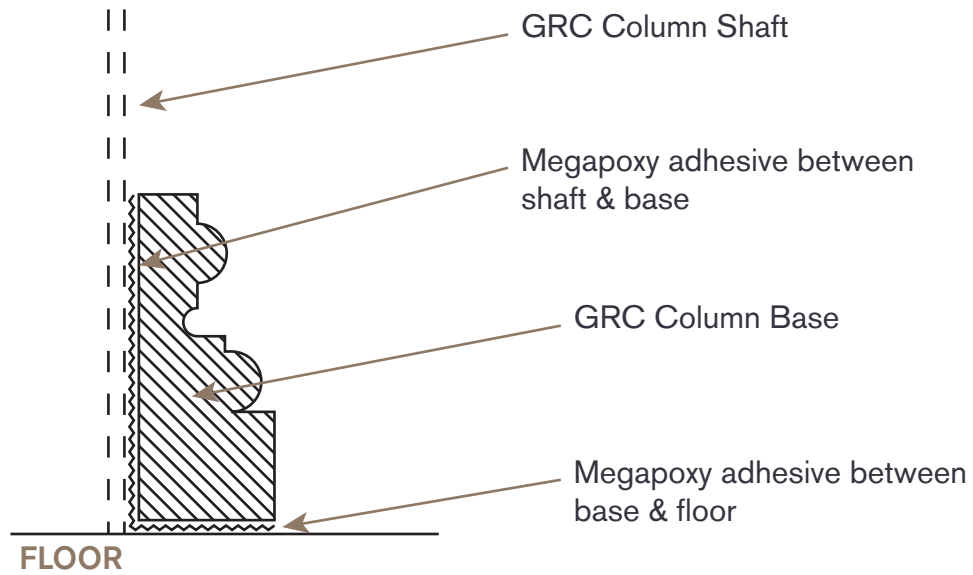
Typical Base Fixing Detail

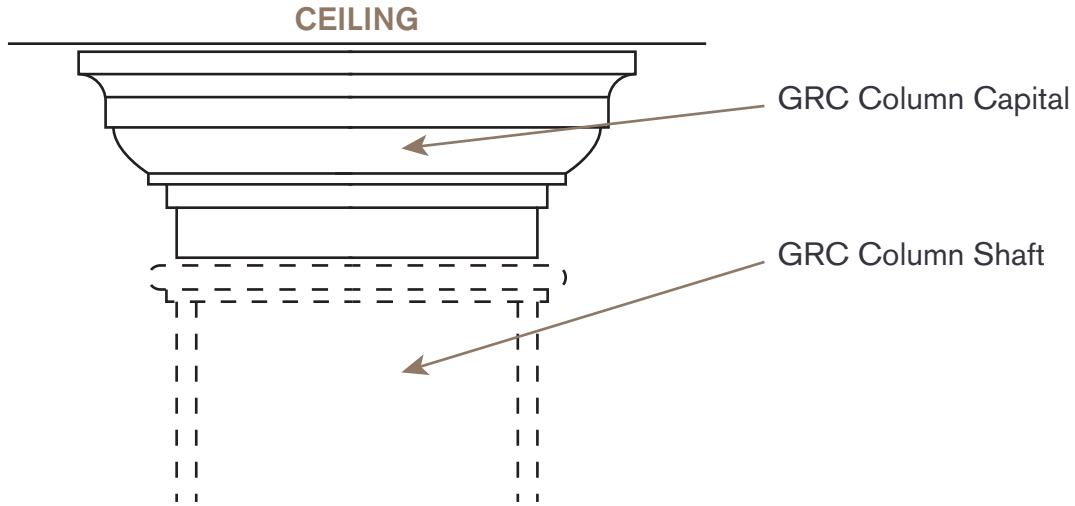


Typical Base Fixing Detail



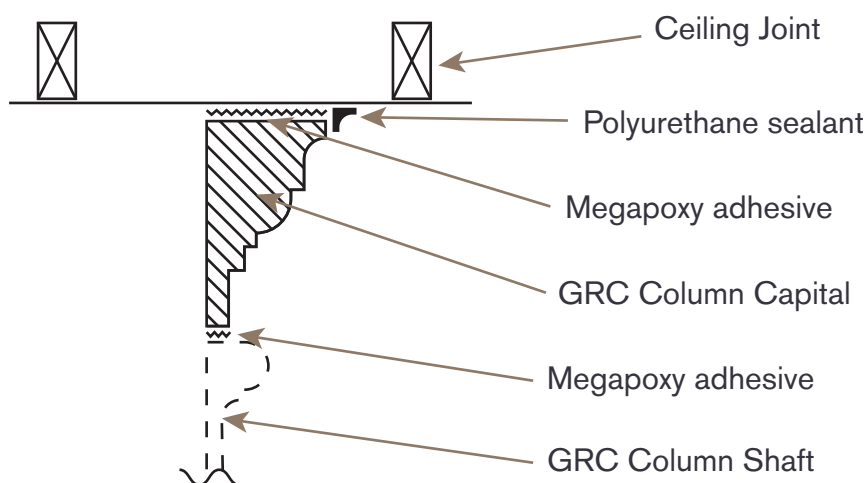
TYPICAL GRC COLUMN BASE FIXING DETAIL





GRC Column Capitals sit on top of the column shaft.

NOTE: GRC Column Capitals to be adhered to column shaft & ceiling with megapoxy adhesive.



Dekopro does warrant GRC Columns are free from defects caused by faulty manufacture or materials.

If any of the Dekopro columns are so defective, Dekopro will as an option either replace them or reimburse the purchaser for the purchase price.

The fixing methods recommended in this literature are formulated along the lines of good building practice and are intended to assist experienced tradesmen in construction procedures. However, this literature is not intended to be an exhaustive statement of all relevant data as the successful installation of the Dekopro system depends on numerous factors outside the control of Dekopro, eg. quality of workmanship, particular design requirement, etc. The company accepts no responsibility for or in connection with the quality of moulding installation or their suitability for any purpose when installed.

This warranty excludes all other warranties and liability for damage or loss in connection with defects in Dekopro products, other than those compulsorily imposed by legislation, notable the Trade Practices Act.

dekopro mouldings

Date Issued: 4/10/2024

www.dekopro.com.au

0477 477 750

15 Drake Street
Sunshine North VIC 3020

info@dekopro.com.au